

# AUTOQUIP AUTOMATION

## Robotic Spray Gun Tip Cleaner

*Custom Robotic Component*

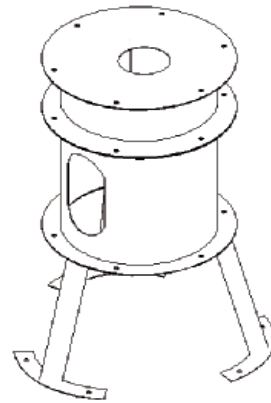


Combination solvent and air spray jet cleaning device.

Steel construction with teflon coating for easy clean up.

Modular design provides both strength and maintainability.

Optional control provides direct interface to automation.



### Key Benefits:

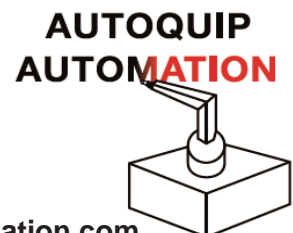
- Provides safe location to collect color change waste.
- Improves robotic cell uptime by reducing manual air cap cleaning operations.



email: [sales@aqautomation.com](mailto:sales@aqautomation.com)

Autoquip, Inc.  
N57 W13430 Reichert Avenue  
Menomonee Falls, WI 53051  
Phone: (262) 781-6133  
Fax: (262) 781-6188

web site: [www.aqautomation.com](http://www.aqautomation.com)



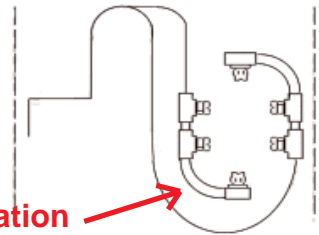
# AUTOQUIP AUTOMATION

## Robotic Spray Gun Tip Cleaner

### Powerful Spray Jet Cleaning Configuration

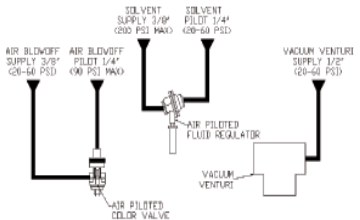
- Available for single or dual spraying atomizers.
- Four, six, or eight spray jet configuration.

**6 Jet Configuration**



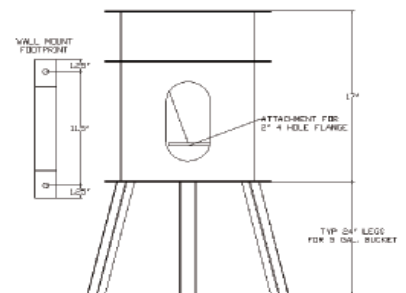
### Integral Fluid and Air Regulation

- Built in on/off and flow rate valving for air cap solvent.



### Flanged Connection To Waste System

- Improves accessibility to the drain piping by removing the need for pipe union in close quarters.
- Flange matches standard 2" threaded pipe flange.

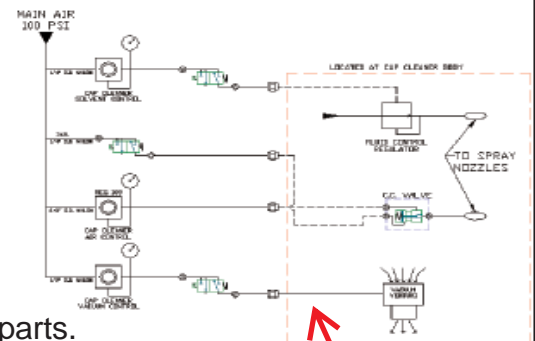


### Optional Control Enclosure

- Separate on/off control and regulation.
- Bulkhead fittings for ease of installation.
- 24 VDC solenoids for solvent, air and vacuum air triggering.

### Advanced Features:

- Circular design for strength.
- Modular components for ease of cleaning maintenance and component replacement.
- Laser cut steel components.
- Teflon coating for ease of cleaning and durability.
- Single solvent/air tip assembly for simple operation.
- Venturi vacuum to reduce solvent vapors on the coated parts.
- Legs (optional) for over pail mounting.
- Control panel (optional) to sequence regulated solvent, air volumes and control vacuum levels.
- Wall mounting bracket (optional).



**Air Control Circuit**

Item	Basic Part Number	Options	
Tip Cleaner	TC - 1000	Single Gun Opening	Dual Gun Opening
Control Module	TCCM - 1000		
Legs	TC - Legs		
Wall Mounting Bracket	TC - Wall		